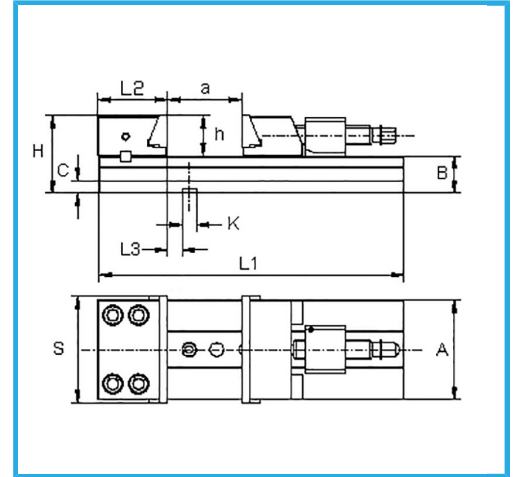
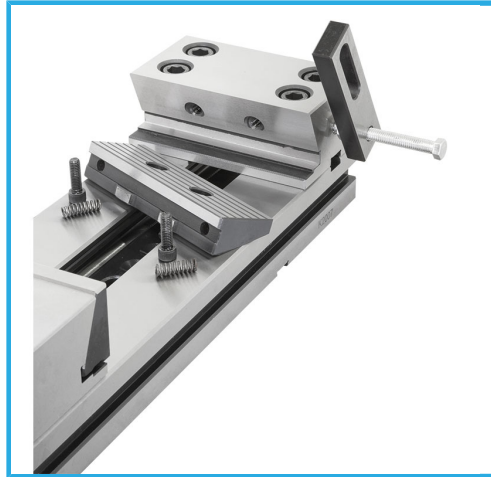
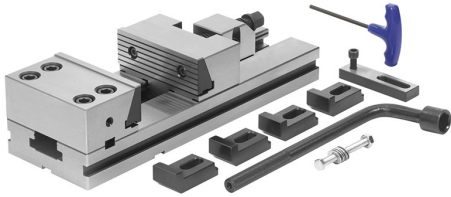




€1.280,00



Jaw dimensions	150 x 60h mm
Accuracy	0,02 mm
S	150 mm
A	150 mm
B	50 mm
C	20 mm
H	110 mm
L1	525 mm
L2	93 mm
L3	25,6 mm
h	60 mm
K h7	16 mm
a	300 mm
Hardness	58 - 63 HRC
EAN Code	8012667191429
Weight	40 kg